

MAX-12TR

Supplied With 10M automatic Carburettor (11360)

Supplied With 10J automatic Carburettor (11361)

MAX-12TR(S)

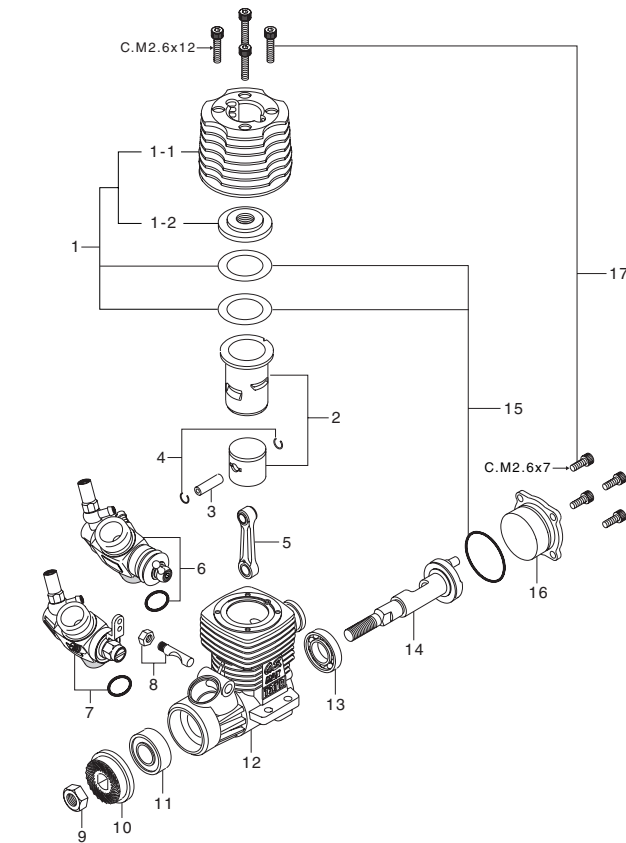
Supplied With 10M automatic Carburettor (11363)

TYPE 10M

(21484000)

TYPE 10J

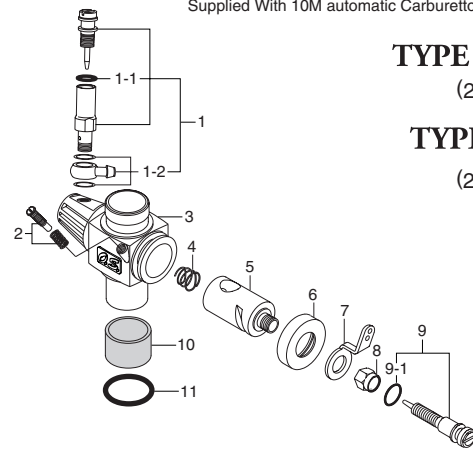
(21483000)



No.	Code No.	Description
1	21454600	Heatsink Head Assembly
1-1	21454620	Outer Head
1-2	21454610	Inner Head
2	21453000	Cylinder & Piston Assembly
3	21256000	Piston Pin
4	23817000	Piston Pin Retainer (2pcs.)
5	21455000	Connecting Rod
6	21483000	Carburetor Complete (Type 10J)
7	21484000	Carburetor Complete (Type 10M)
8	25381701	Carburetor Retainer
9	20810007	Propeller Nut
10	21458000	Drive Hub
11	22631020	Crankshaft Ball Bearing (Front)
12	21451000	Crankcase
13	21430000	Crankshaft Ball Bearing (Rear)
14	21452000	Crankshaft
	21452020	Crankshaft (For 12TR(S))
15	21464010	Gasket Set
16	21457000	Cover Plate
17	21213000	Screw Set
	71605100	Glow Plug A5
	21427200	Exhaust Seal Ring (2pcs.)
	72403300	Super Air Cleaner 103 (W/2 filter elements)
	72403310	103 Cleaner Body
	72403320	103 Filter Elements (4pcs.)

O.S. GENUINE PARTS & ACCESSORIES

Code No.	Description
72011000	12TR Hyper Head
72106160	12TR Exhaust Header Pipes (For Super 10 Class)
72106170	12TR Exhaust Header Pipes (For Pure 10 Class) SHORT
72106180	12TR Exhaust Header Pipes (For Pure 10 Class) LONG
72103310	Super Joint Tube 15
72103030	T-1030 Tuned Silencer For 1/10 off-road buggy and scale car.
72103031	T-1031 Tuned Silencer Exhaust outlet pipe is located on right side of silencer.
72103032	T-1032 Tuned Silencer Is located on left side of silencer IFMAR regulation legal.
73300305	Dust Cap Set $\varnothing 3$ (5pcs.) (for Carburetor Nipple)
73300712	Dust Cap Set $\varnothing 7$ (3pcs.) (for Tuned Silencer)
73301212	Dust Cap Set $\varnothing 12$ (3pcs.) (for Carburetor)
79871020	M2.6x7 Cap Screw Set (10pcs.)
79871040	M2.6x12 Cap Screw Set (10pcs.)
79871060	M3.5x8 Cap Screw Set (10pcs.)
71521000	Long Socket Wrench With Plug Grip



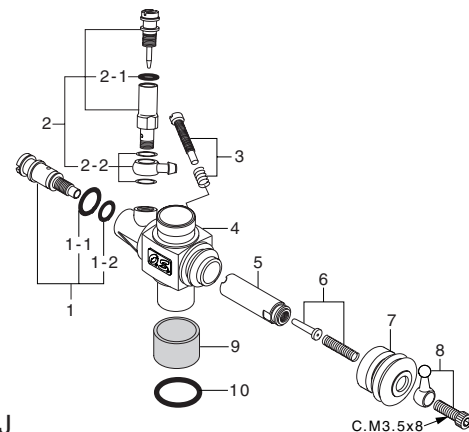
* Type of screw

C...Cap Screw M...Oval Fillister-Head Screw

F...Flat Head Screw N...Round Head Screw S...Set Screw

Type 10M

No.	Code No.	Description
1	21285901	Needle Valve Assembly
1-1	27881820	"O" Ring (2pcs.)
1-2	21881950	No.14 Universal Nipple Assembly
2	22681310	Throttle Stop Screw
3	21484100	Carburetor Body (w/Thermo Insulator)
4	22481506	Rotor Spring
5	21484200	Carburetor Rotor
6	21283210	Dust Cover
7	22681419	Throttle Lever
8	21481420	Throttle Lever Fixing Nut
9	21484600	Mixture Control Screw
9-1	27881820	"O" Ring (2pcs.)
10	21165010	Thermo Insulator
11	22615000	Carburetor Rubber Gasket



Type 10J

No.	Code No.	Description
1	21285600	Mixture Control Valve Assembly
1-1	46066319	"O" Ring(L) (2pcs.)
1-2	22781800	"O" Ring(S) (2pcs.)
2	21285901	Needle Valve Assembly
2-1	27881820	"O" Ring (2pcs.)
2-2	21881950	No.14 Universal Nipple Assembly
3	23818500	Throttle Stop Screw
4	21483100	Carburetor Body (w/Thermo Insulator)
5	21483200	Slide Valve
6	21483600	Metering Needle Assembly
7	21881320	Dust Cover
8	23818420	Ball Link No.4
9	21165010	Thermo Insulator
10	22615000	Carburetor Rubber Gasket

The specifications are subject to alteration for improvement without notice.